



CrossQ (CHINA) Limited
越甲（中国）有限公司

Shanghai CrossQ Automation Equipment Co.,Ltd.
上海越甲自动化设备有限公司

Semi-auto Filling Machine for Liquid FM-SLVQ (Pure Pneumatic & Vertical Type)



※FEATURES※

1. This machine is belonged to semi-automatic piston type filling machine for liquid.
2. Filling quantity and speed can be adjusted..
3. Easy to operate, with high accuracy, simple to maintain and clean.
4. Pneumatic parts: normally adopt Airtac brand, also can choose FESTO,
5. Can set manual or automatic mode.
6. With good structure, easy to removal & installation.
7. Material contact part with SUS316, meet GMP operational standard.



CrossQ (CHINA) Limited

越甲（中国）有限公司

Shanghai CrossQ Automation Equipment Co.,Ltd.

上海越甲自动化设备有限公司

8. With excellent design, with vertical and small structure to save installation space.
9. Be suitable for various products with small weight.
10. Seal parts with silicone rubber which with high anti-abrasion, anti-heat, anti-acid, anti-corrosion function, with fluorine rubber which is high anti-abrasion, anti-resistance, anti-acid, and anti-corrosive.

※APPLICATION※

FM-SLVQ mainly used for filling liquid, such as lotion, care solution liquid, shampoo, wash clean, lubricants, oil etc.

※SERIES※

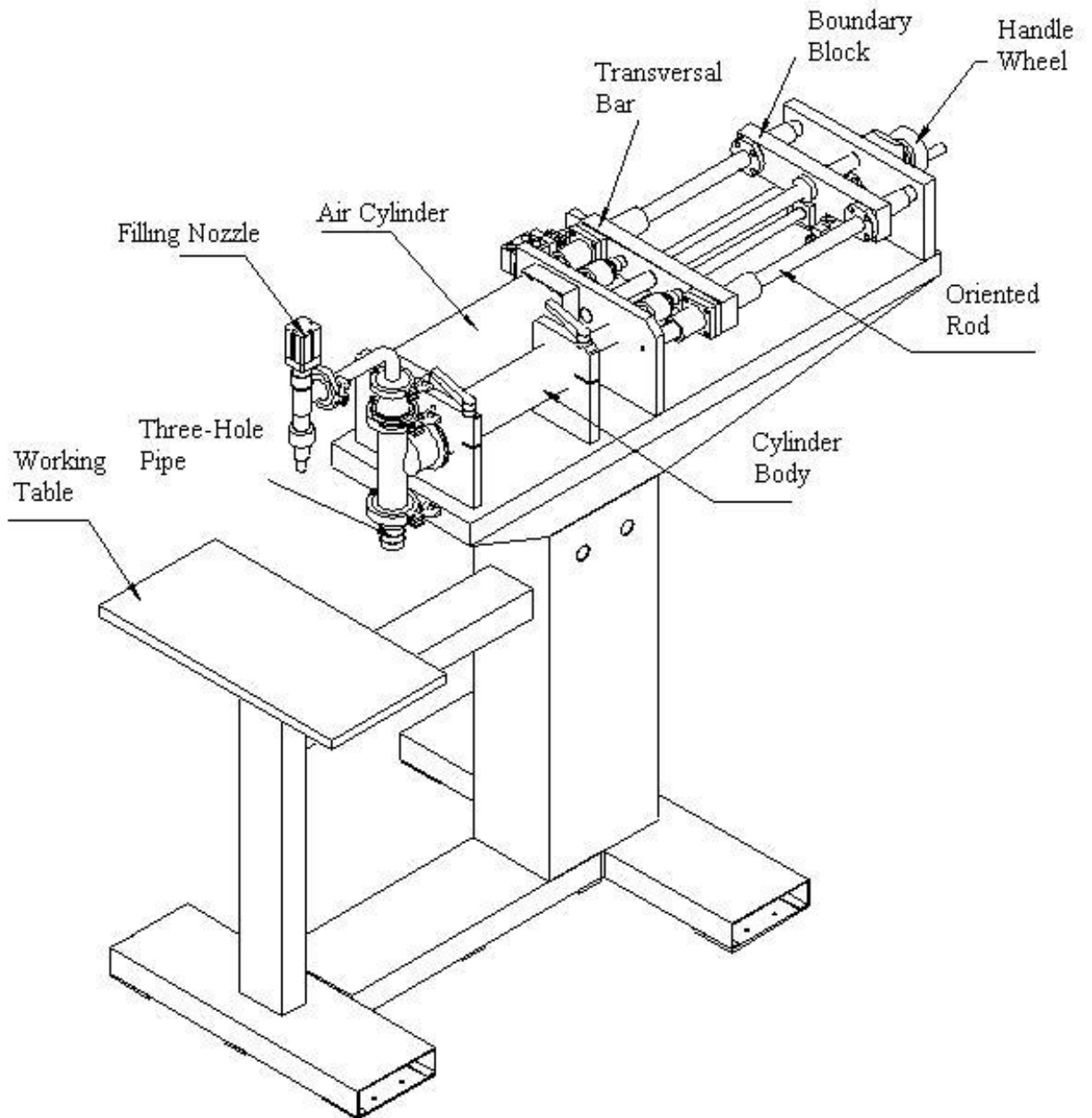
Type	Filling Range	Filling Speed	Air supply	Power Supply	Dimension(mm)	Weight
FM-SLVQ/100	10-100ml	10-40 pcs/min	115L/min	/	1230x600x1210	40kg
FM-SLVQ/250	30-250ml	10-40 pcs/min	100L/min	/	1180x600x1210	43kg
FM-SLVQ/500	100-500ml	10-40 pcs/min	210L/min	/	1300x600x1210	46kg
FM-SLVQ/1000	200-1000ml	10-40 pcs/min	315L/min	/	1510x600x1210	52kg
FM-SLVQ/2000	500-2000ml	5-15 pcs/min	405L/min	/	1800x650x1210	58kg
FM-SLVQ/5000	1000-5000ml	5-15 pcs/min	456L/min		1900x650x1210	64kg

※Frame Drawing※



CrossQ (CHINA) Limited
越甲（中国）有限公司

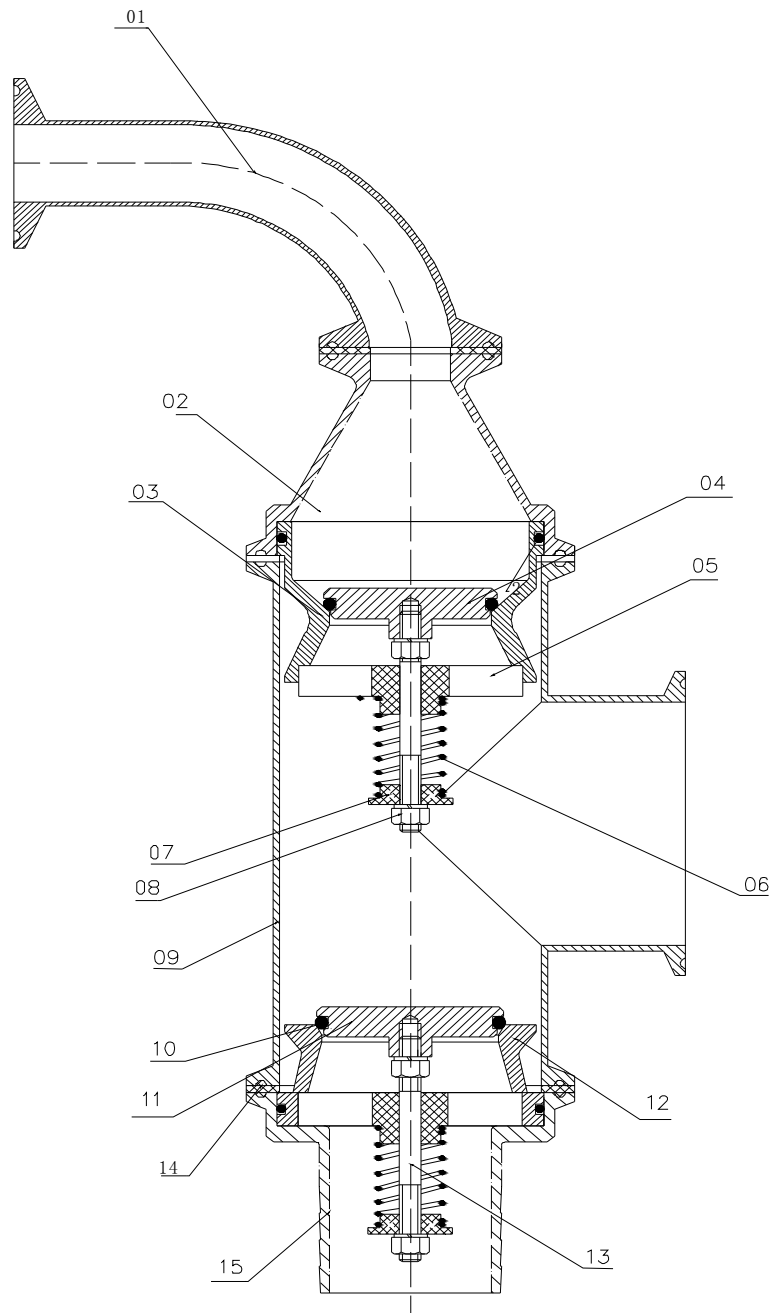
Shanghai CrossQ Automation Equipment Co.,Ltd.
上海越甲自动化设备有限公司





CrossQ (CHINA) Limited
越甲（中国）有限公司

Shanghai CrossQ Automation Equipment Co.,Ltd.
上海越甲自动化设备有限公司



01	Feed Pipe	05	Valve Fix	09	Three-Hole Pipe	13	Valve Screw
02	Pipe Tie-In	06	Spring	10	O-Ring	14	Silicon Pad
03	Top Check Valve	07	Spring Nut	11	Bottom Check Valve	15	Pipe Tie-In
04	Valve Core	08	Screw Cap	12	Valve Core		

※Packing List※



CrossQ (CHINA) Limited
越甲（中国）有限公司

Shanghai CrossQ Automation Equipment Co.,Ltd.
上海越甲自动化设备有限公司

Descriptions	Quantity
Operation Manual	1SET
O-Rings	1SET
Seal Rings	1SET
Tools Bag	1SET
Machine	1SET